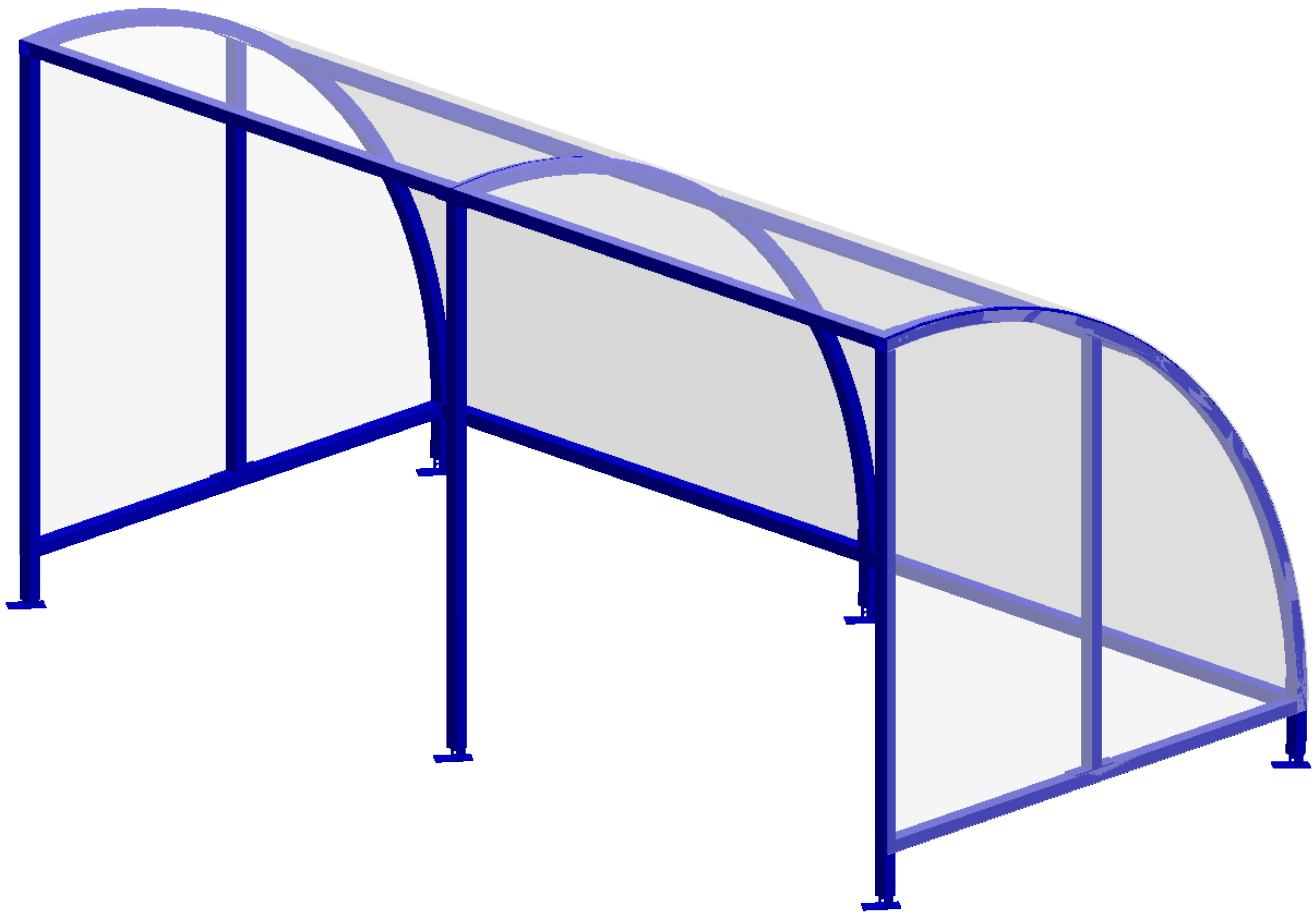
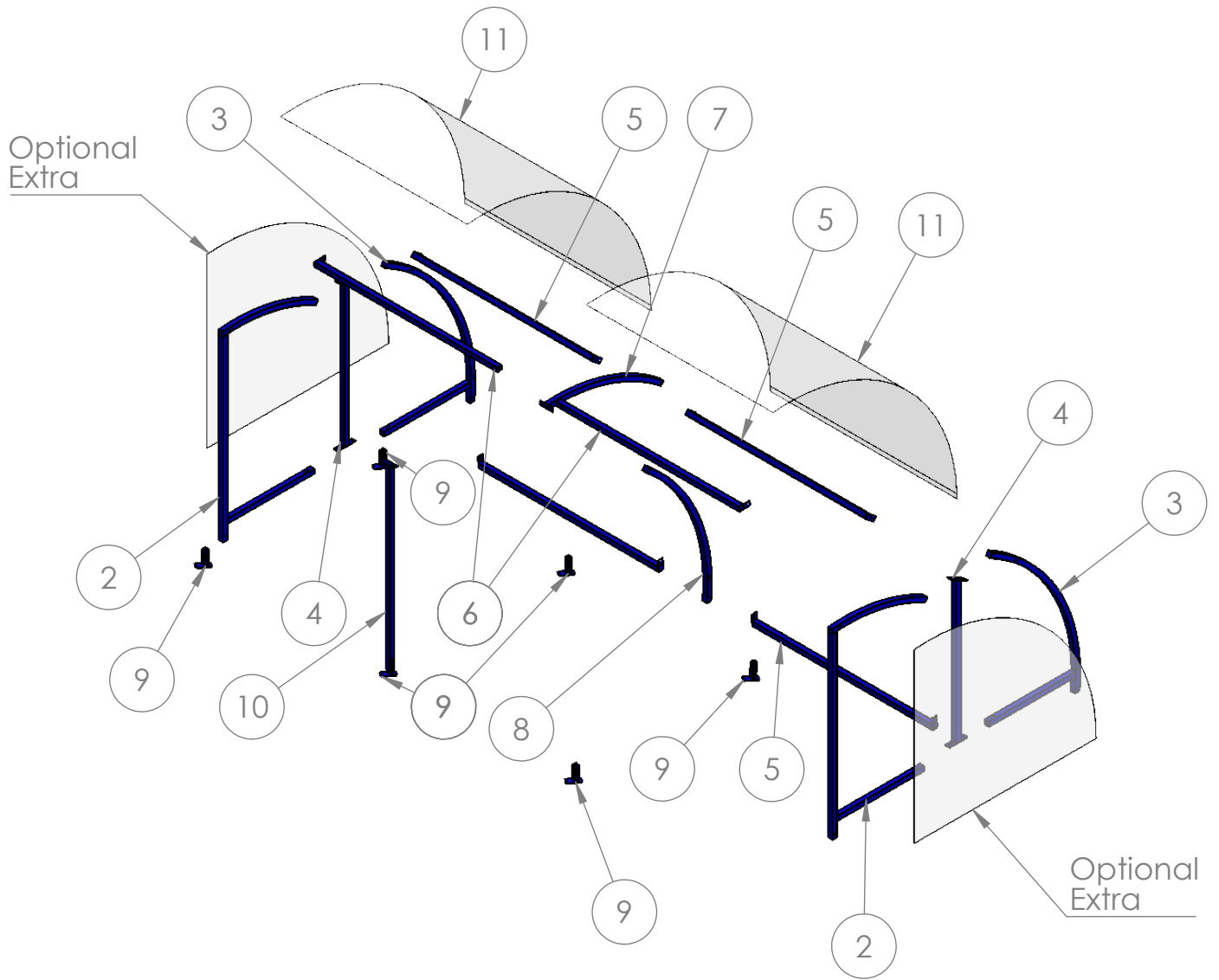


Assembly Instructions



Exploded View



Tools required: (Not supplied)

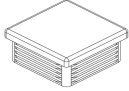

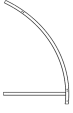
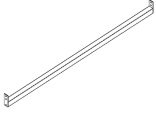
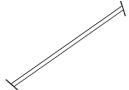



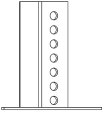
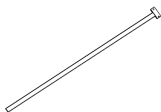











Drill/Screwdriver



Socket set

PARTS LIST & FITTINGS

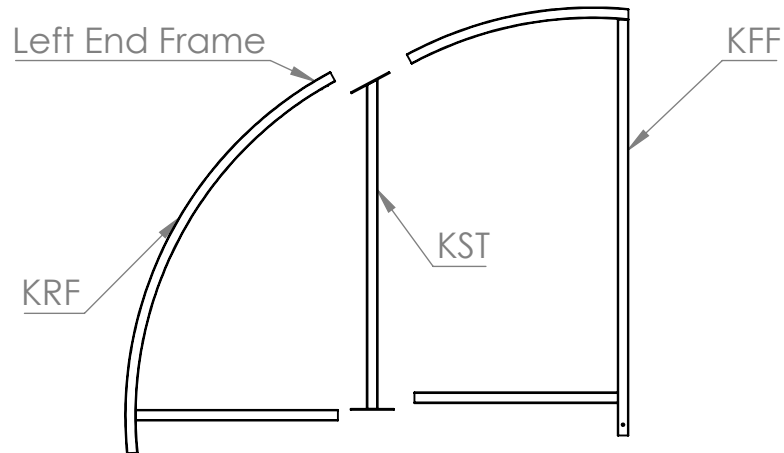
ITEM NO.	PART NO.	DESCRIPTION	DIMENSION (mm)	IMAGE	QTY.
1	EC50	Plastic end cap	50 x 50		2
2	KFF	Front Frame Assembly	1975 x 990		2
3	KRF	Rear Frame Assembly	2115 x 985		2
4	KST	Straight Tie Bar Assembly	1535		4
5	CTB	Central Tie Bar	1950		2
6	FTT	Front Top Tie	1975		2
7	TCC	Centre Curve (2 Parts)	1330		1
8	LCC	Lower Centre Curve	1580		1
9	KIF	Internal Foot	153		6
10	CP	Centre post	1975		1
11	RP1	Roof Panel	2970 x 2015		2

Fittings	M10 x 20 Hex head bolt	M10 x 70 x 80 Hex head bolt	M10 x 100 Anchor bolt	M10 Nuts	M10 Standard Washers	M12 Standard Washers	25mm Tech screws	Plastic caps M10
QTY.	28	8 / 4	6	12	52	6	120	52
Image								

If you have received the "Split End" version (If not go straight to Step 1)

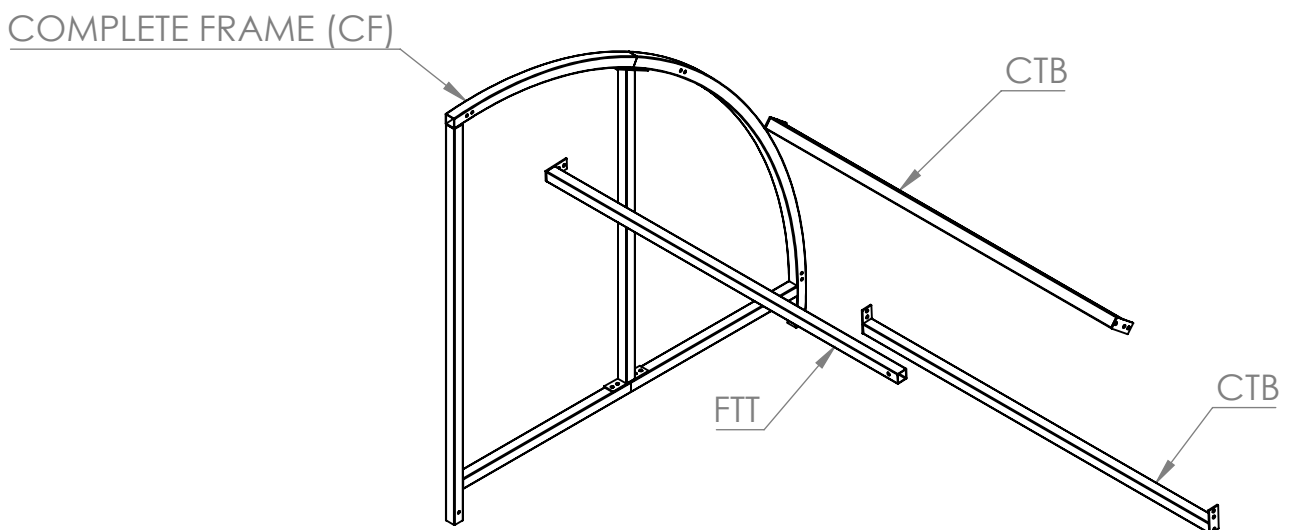
Join the three frame sections to make the Complete Side Frame using M10 bolts.

2 people recommended to fit this shelter.

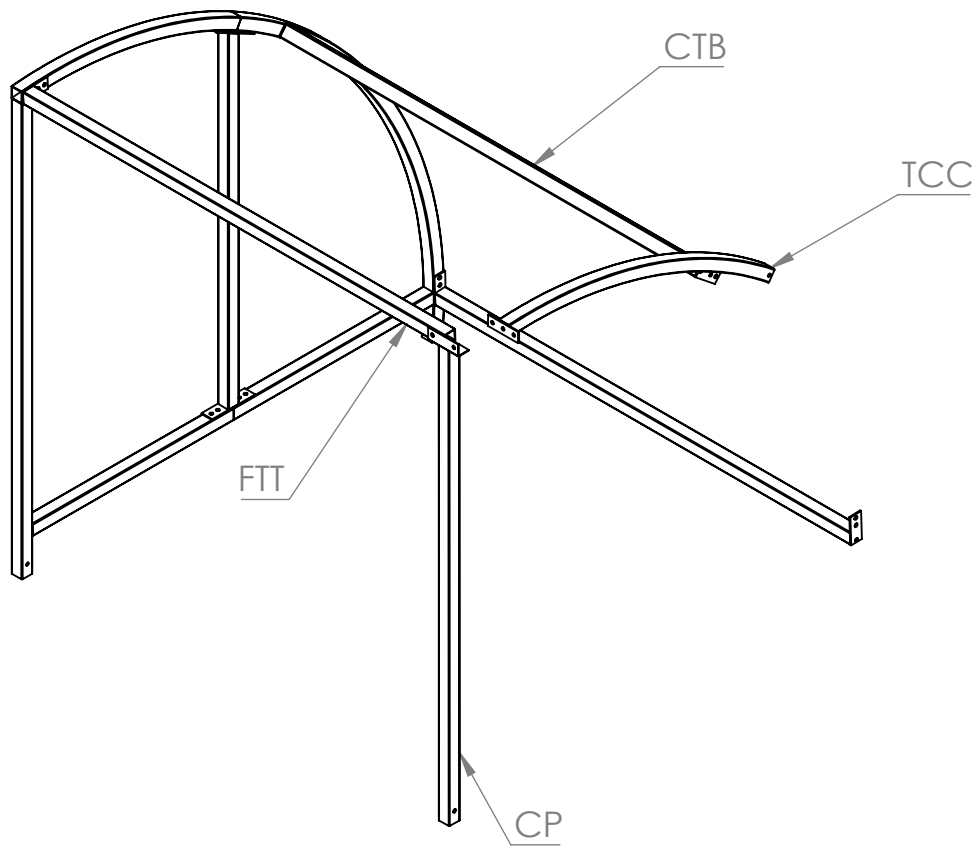


Note: Shelter ends have 2 sides Left and Right. Make sure all holes are in correct position before assembling.

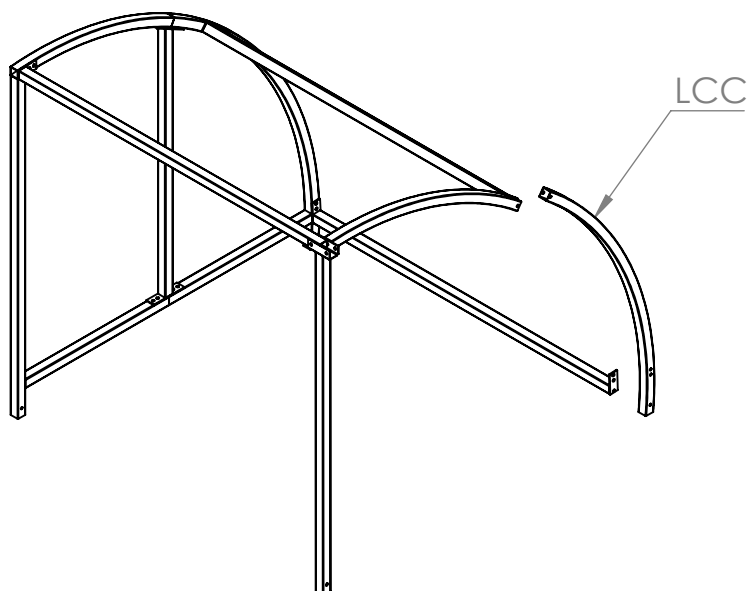
Step 1 Take the **CF Side Frame** and attach the **CTB Tie Bar** to it in the positions shown below. Now secure the **FTT Fron Top Tie** to the Side of the shelter using **M10 Bolts** supplied.



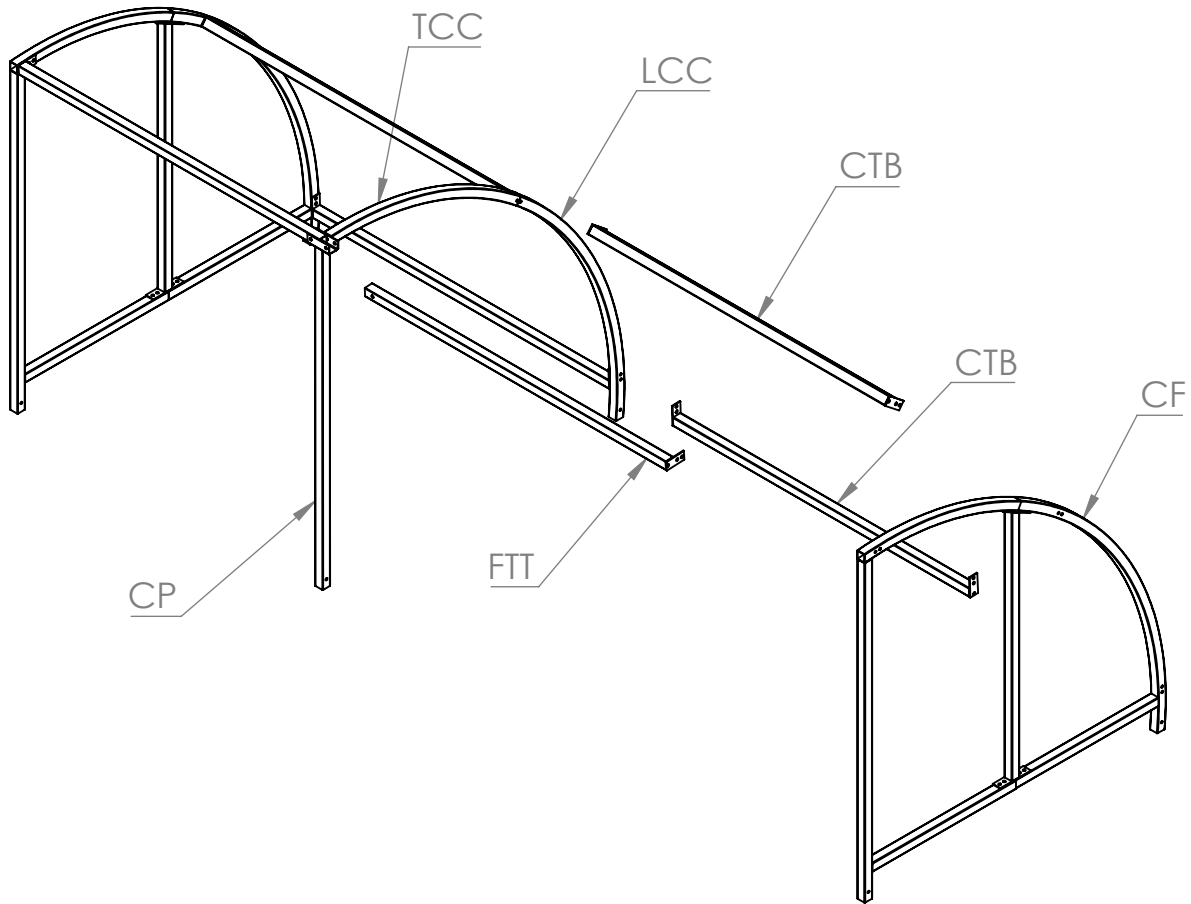
Step 2 Loosely fasten **TCC Top Centre Curve** to **CTB Central Tie Bar**, after doing this place **CP Central Post** under **FTT Front Top Tie** and bolt through all 3 parts.



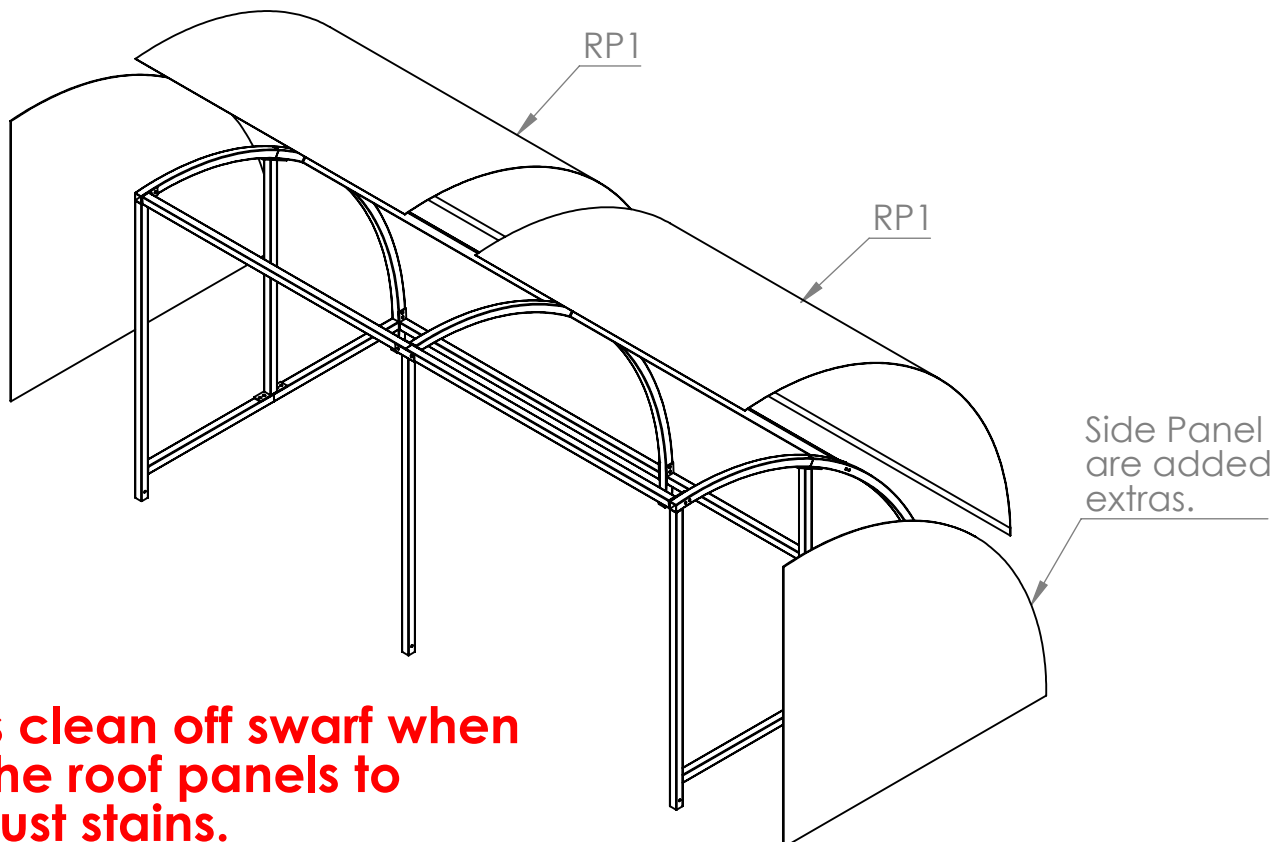
Step 3 Put the **LCC Lower Centre Curve** in place do not tighten the bolts to far as the second side will be attached here.



Step 4 Repeat **Step 1, 2 and 3** with the opposite side of the shelter this time securing all centre bolts tightly making one complete unit.



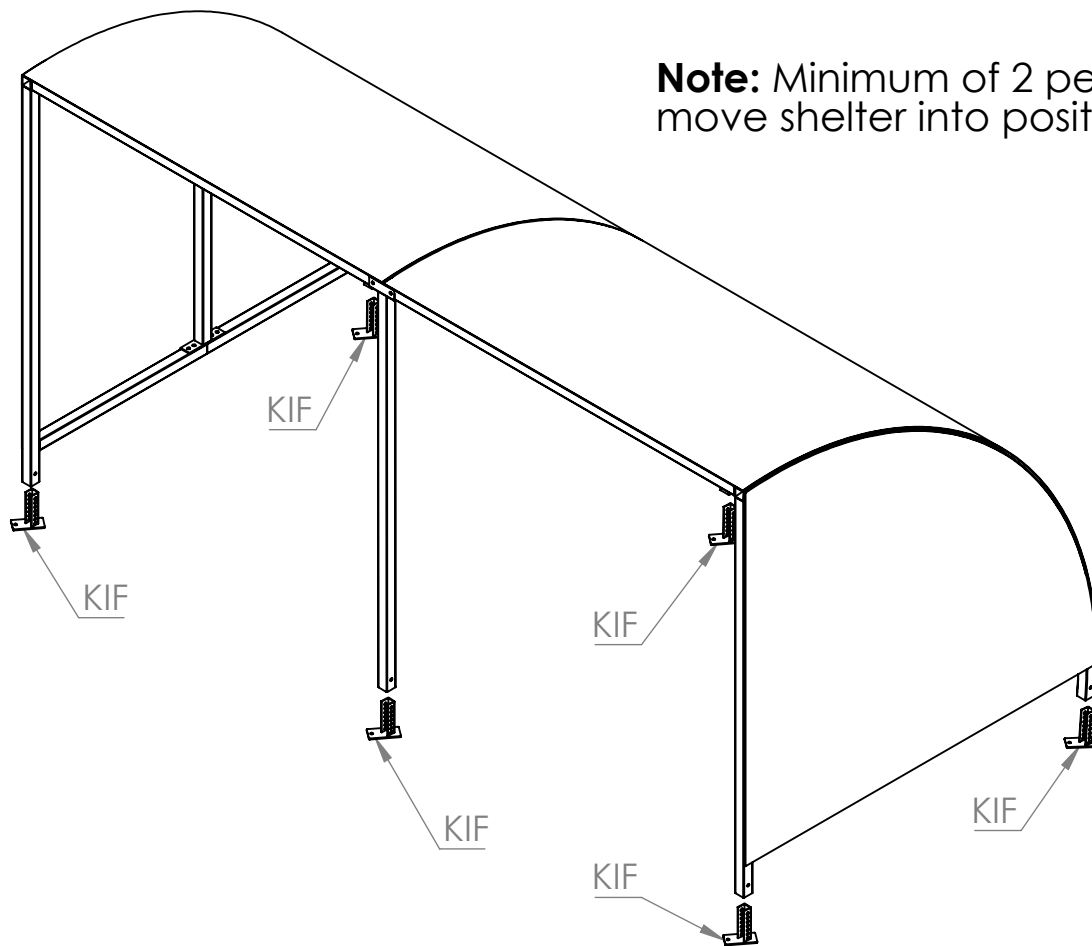
Step 5 Offer each panel to the shelter as shown below and secure in place using Tec-Screws. (1 Screw every 8 inches)



Always clean off swarf when fitting the roof panels to avoid rust stains.

Step 6

Finally move shelter to desired position and insert **KIF Internal Foot** into each leg. (**Note: the extra holes within the foot is to allow adjustment on an uneven surface**) Secure in Place using the **Anchor Bolts** supplied.



Note: Minimum of 2 people to move shelter into position.

Don't forget to add Plastic End Caps to shelter before finishing.

THANK YOU FOR PURCHASING THIS PRODUCT

MAINTENANCE:

To ensure your products give you many years of use we recommend that you:

- Clean panels regularly with soapy water
- Ensure all fittings are tight (for example after a big storm)
- Touch up any exposed metal should it get scratched

CONTACT DETAILS:

Email : Sales@shelter4less.co.uk

Web : www.shelters4less.co.uk

Tel : 0800 160 1002

Shelters4Less, Unit 3, 2 Landsdowne Crescent, Bournemouth, BH1 1SA

All Parts and Fixings checked by:	
Print Name:	Signature: